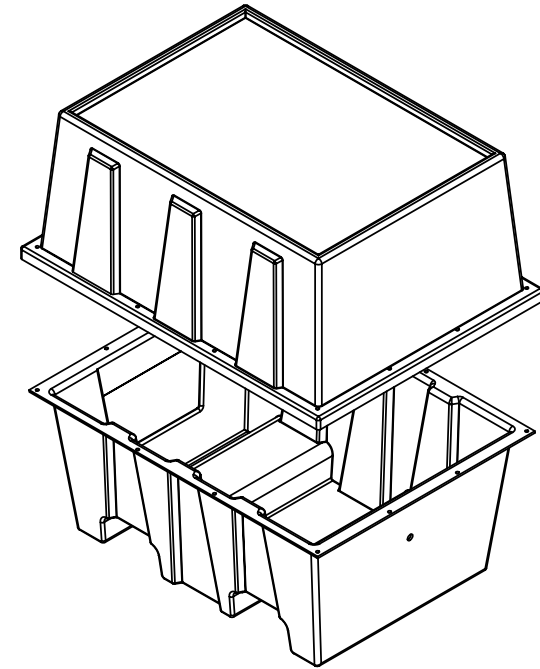


		REVISIONS		
ZONE	REV.	DESCRIPTION	DATE	APPROVED
	A	Initial Release	08/08/98	RS

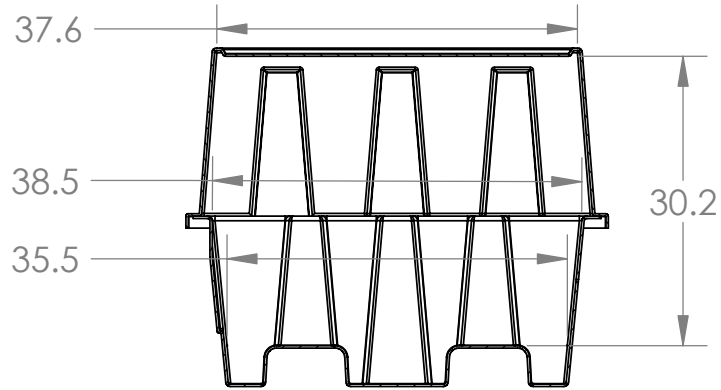


11455 Hydraulic Drive
 Rancho Cordova, CA.
 95742-6870
 Tel: 800-552-5847
 Fax: 916-638-2278
 www.scribnerplastics.com

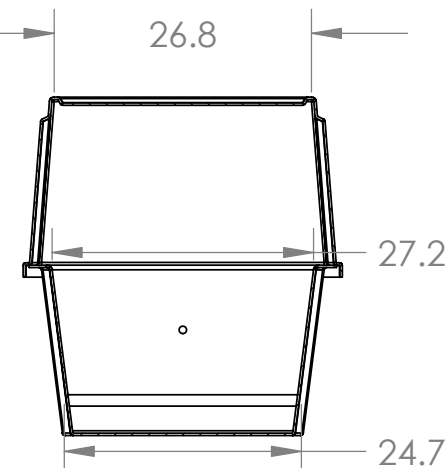
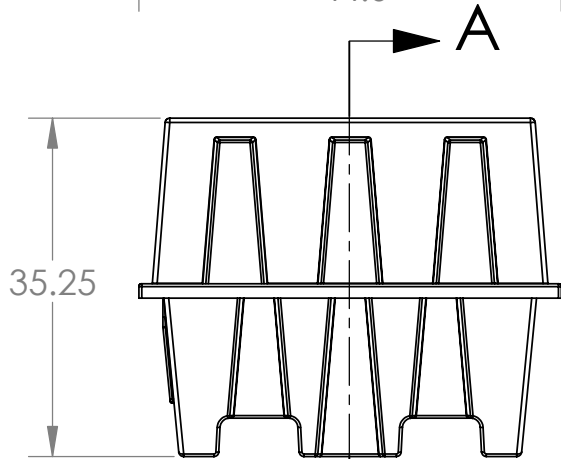
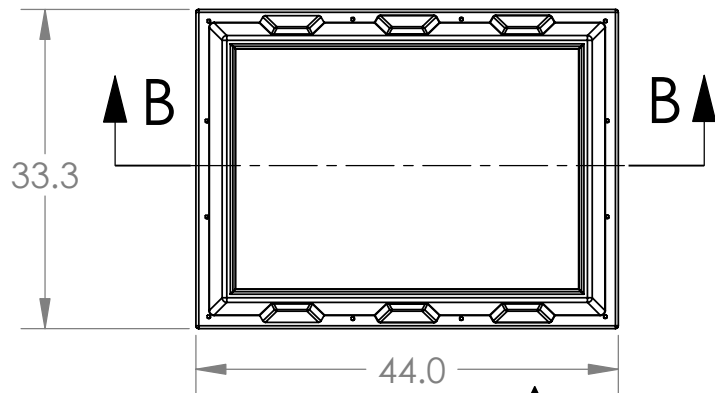
TITLE:
**5115 Engine
 Container**

UNLESS OTHERWISE SPECIFIED:
 DIMENSIONS ARE IN INCHES
 DO NOT SCALE DRAWING

SIZE: **A** SCALE: 1:20



SECTION B-B
 INTERIOR DIMENSIONS



SECTION A-A
 INTERIOR DIMENSIONS

5

4

3

2

1